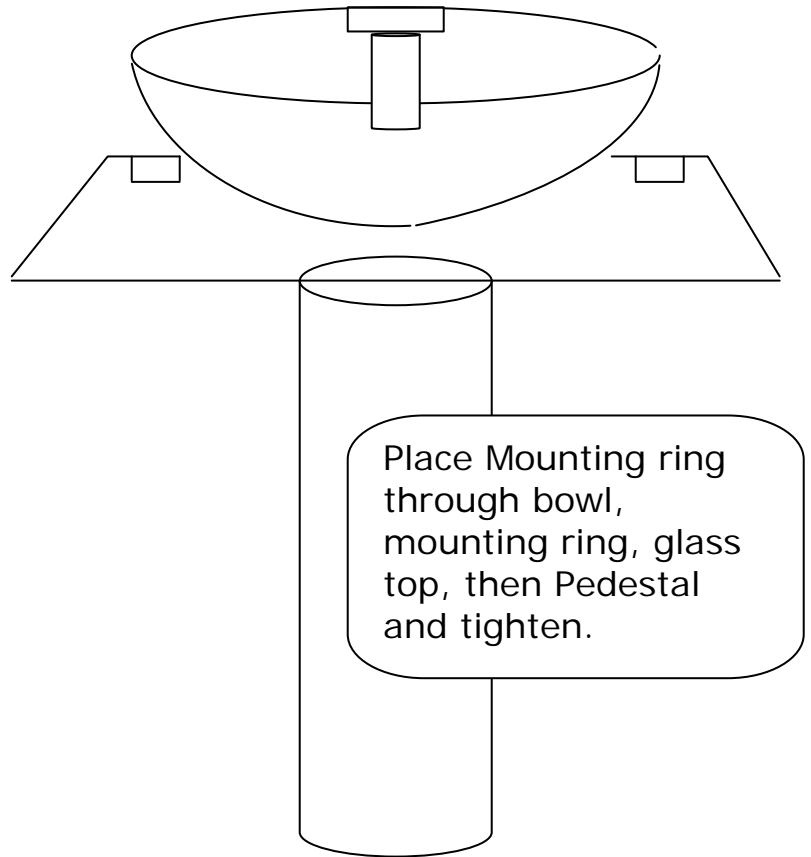


# Installation Instructions for B-012

## Parts Included:

- Bowl Included
- Glass Counter Top
- Mounting Ring
- Pedestal
- Mounting Screw Kit



## STEPS TO INSTALL

1. Using Drain, Put drain into Bowl, mounting ring, Glass Top and through pedestal then tighten all together. Nut should be hand tightened Plus 1/2 to 3/4 a turn. (Make sure they are snug and do not rock. DO NOT OVER TIGHTEN.
2. Measure floor to level and plumb the glass counter top. Mount wall stabilizers (2 pieces) equal distance from end of table (Approximately 3 inches from outside edge.
3. Mount to wall and plumb the flow through drain (provided) to the P trap and drain lines (not provided)
4. Making sure Pedestal base is plumb and level. Secure the bottom of the base to floor. (Screws or Silicon may be used, Not provided)